

ROOTSPACE™ 400

Product

Modular root-friendly soil cell system for tree pits. Produced from 100% recycled plastic. The system is EPD-certified.

The system consists of side panels and an Airflow™ cover that comes with integrated air and water connectors to distribute water and oxygen to the entire tree pit.

The system is constructed so that the structure is open and the amount of plastic is minimised. Provides more than 95% soil void space.

Also available with reinforcing panels for places with heavy traffic alongside the tree pit.

Uses

Ideal for areas with limited space and heavy loads. For urban areas close to the roadway and places where it is desirable that trees grow strongly. Particularly suitable for places with a need for additional re-excavation of utilities.

Notes

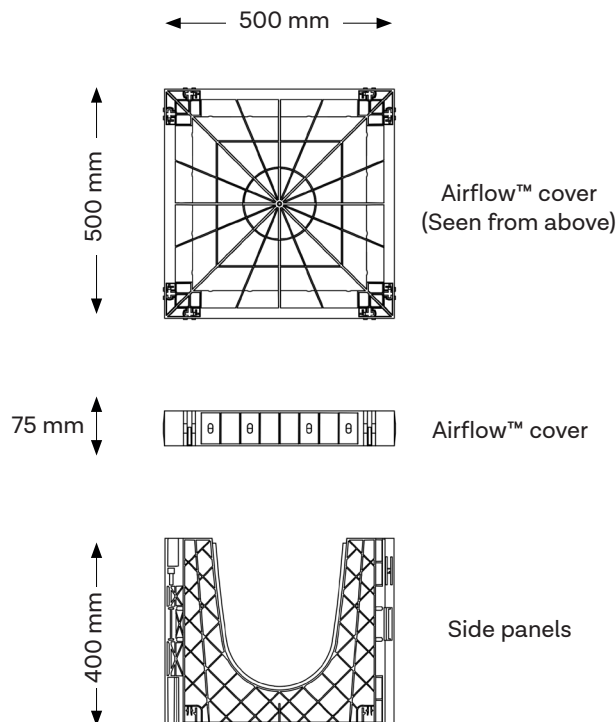
The side panels are locked together to form a robust, open structure. The side modules allow for pipes with a diameter of up to 250 mm.

Airflow™ assures a minimum air layer of 7 cm. Easily locked in place with a click mechanism.

The tree pit can be built with one or more layers as required.

CAD drawings are available from Milford.

To be installed according to Milford's instructions.



Liveable cities

| Product no. | Product description | Dimensions | Crushing load capacity |
|----------------|--------------------------------|---------------|------------------------|
| RSP5050/L_2.0 | RootSpace Airflow™ cover | 500x500x75mm | --- |
| RSP5040/SP_2.0 | RootSpace™ side panel | 500x400x90mm. | 434 kPa |
| RSP5040/FS | RootSpace™ reinforcement panel | 330x285x40mm | 434 kPa |

ROOTSPACE™ 600

Product

Modular root-friendly soil cell system for tree pits. Produced from 100% recycled plastic. The system is EPD-certified.

The system consists of side panels and an Airflow™ cover that comes with integrated air and water connectors to distribute water and oxygen to the entire tree pit.

The system is constructed so that the structure is open and the amount of plastic is minimised. Provides more than 95% soil void space.

Also available with reinforcing panels for places with heavy traffic alongside the tree pit.

Uses

Ideal for areas with limited space and heavy loads. For urban areas close to the roadway and places where it is desirable that trees grow strongly. Particularly suitable for places with a need for additional re-excitation of utilities.

Notes

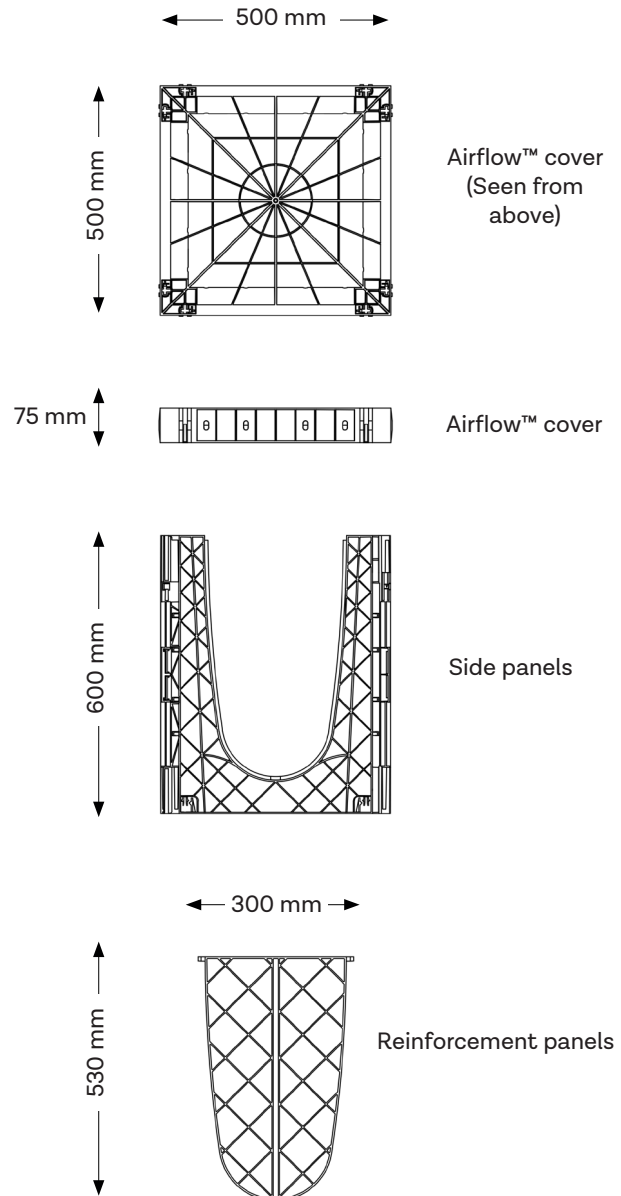
The side panels are locked together to form a robust, open structure. The side modules allow for pipes with a diameter of up to 250 mm.

Airflow™ assures a minimum air layer of 7 cm. Easily locked in place with a click mechanism.

The tree pit can be built with one or more layers as required.

CAD drawings are available from Milford.

To be installed according to Milford's instructions.



Liveable cities

| Product no. | Description | Dimensions | Crushing load capacity |
|----------------|--------------------------------|---------------|------------------------|
| RSP5050/L_2.0 | RootSpace Airflow™ cover | 500x500x75mm | --- |
| RSP5060/SP_2.0 | RootSpace side panels | 500x600x90mm. | 308 kPa |
| RSP5060/FS | RootSpace reinforcement panels | 530x300x40mm | 308 kPa |